

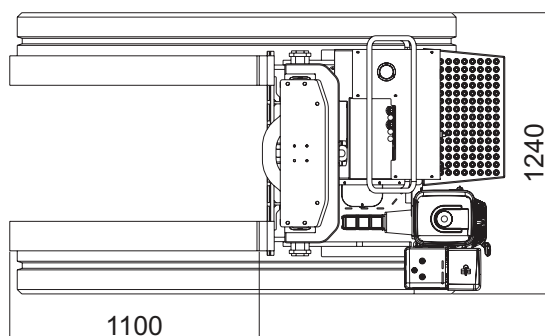
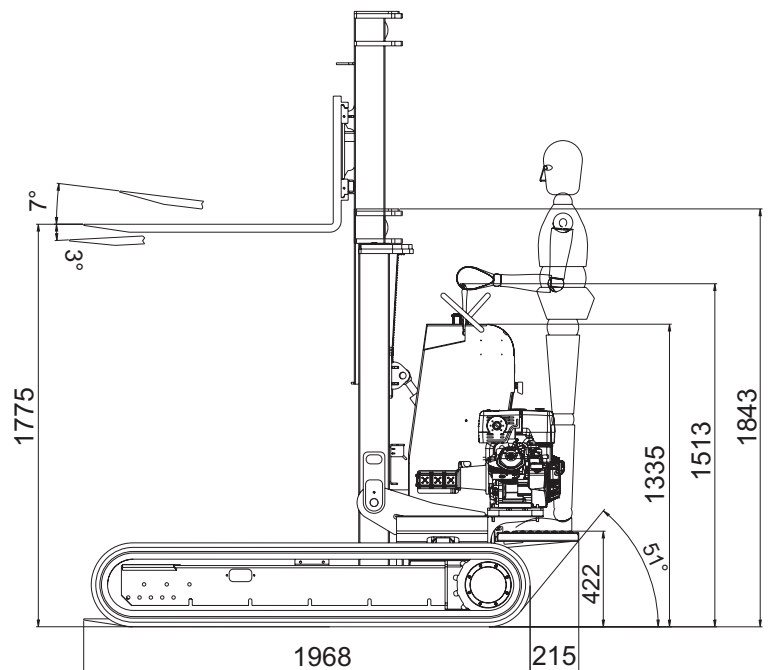
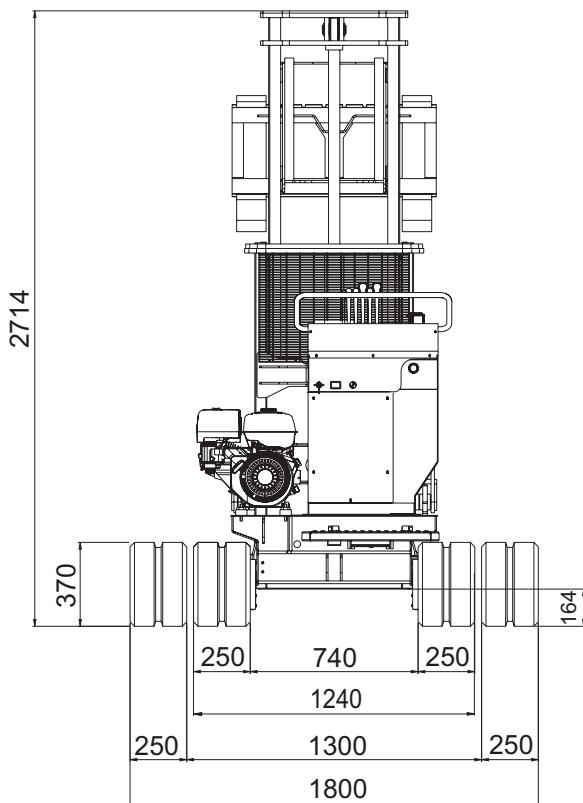


# Tracked Forklift TP1600

## With elevating system of the load and Hydraulic widening 1240÷1800

### TECHNICAL DATA

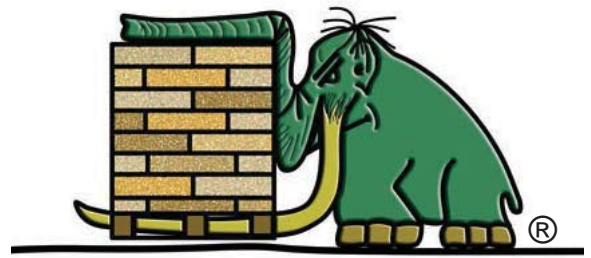
HONDA ENGINE .....	GX390
PISTONS AND DISPLACEMENT .....	1/389 cc
MAX GROSS POWER @ REV/MIN .....	13 CV/3600 rpm
MAX GROSS POWER .....	3500 rpm
TRANSLATION ON SPEED.....	1,5/2,2 km/h
OPERATING WEIGHT WITHOUT OPERATOR.....	1330 kg
MAX CAPACITY .....	1600 kg



**NEW!**

**Hinowa**<sup>®</sup>  
Presents

GREEN MAMMOTH<sup>®</sup>



## Tracked Forklift TP1600

With elevating system of the load  
and Hydraulic widening 1240÷1800



CLOSED  
UNDERCARRIAGE



OPENED  
UNDERCARRIAGE

**PATENTED!**